



INSTALLATION AND MAINTENANCE INSTRUCTIONS

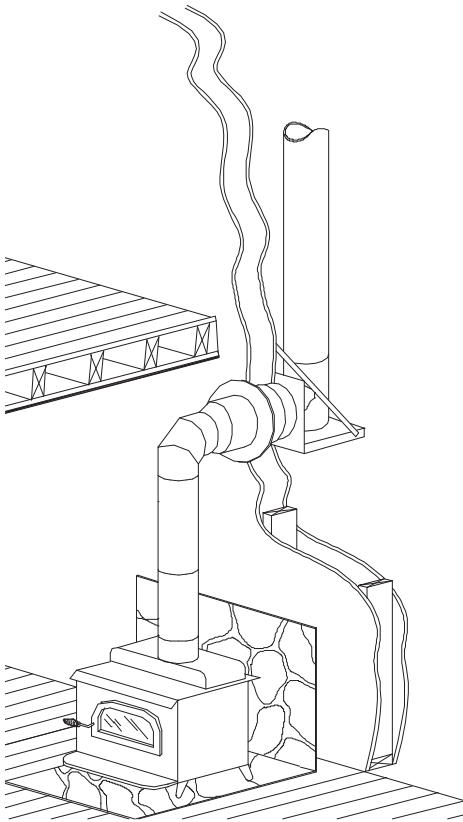
6", 7" AND 8" DIAMETER
DOUBLE WALL CONNECTOR
6" CLEARANCE

SAVE THESE INSTRUCTIONS
FOR FUTURE REFERENCE

MODEL DL

This installation manual will enable you to obtain a safe, efficient and dependable installation of this double wall connector pipe to a manufactured chimney. Please read and understand these instructions before beginning your installation.

Do not alter or modify the components of this double wall connector system under any circumstances. Any modification or alteration of the double wall connector system or approved accessories, including but not limited to the appliance it is connected to, may void the warranty of this system and could result in an unsafe and potentially dangerous installation.



WARNINGS

FAILURE TO FOLLOW THESE INSTALLATION INSTRUCTIONS COULD CAUSE FIRE, CARBON MONOXIDE POISONING, OR DEATH. IF YOU ARE UNSURE OF INSTALLATION REQUIREMENTS, CALL THE PHONE NUMBER LISTED ON THE BACK OF THESE INSTRUCTIONS.

A MAJOR CAUSE OF STOVE PIPE OR CHIMNEY RELATED FIRE IS FAILURE TO MAINTAIN REQUIRED CLEARANCES (AIR SPACES) TO COMBUSTIBLE MATERIALS. IT IS OF UTMOST IMPORTANCE THAT THIS CONNECTOR BE INSTALLED ONLY IN ACCORDANCE WITH THESE INSTRUCTIONS.



Listed to Standards:
CAN/ULC S641
WH-PN-016



We recommend that our woodburning hearth products be installed and serviced by professionals who are certified in the U.S. by the National Fireplace Institute® (NFI) as NFI Woodburning Specialists or who are certified in Canada by Wood Energy Technical Training (WETT).



DL REV.7 04/05/19

NOTE: DIAGRAMS & ILLUSTRATIONS ARE NOT TO SCALE.

CONGRATULATIONS!

You have made a wise choice in your selection of a SECURITY® Model DL, stove connector. You have purchased a fine quality system, researched and developed to precise standards of quality in manufacturing.

It's so easy to install ... you can do it step-by-step. Each component is designed to fit together perfectly and easily. If you are handy with a few basic tools and have a general knowledge of carpentry, you can install your SECURITY Model DL stove connector system over a weekend or have a professional install it for you in a few hours.

Before you install your SECURITY Model DL System, read these instructions carefully and follow them exactly.



WARNING

The SECURITY Model DL stove connector must not be used as a chimney.

Read these instructions and keep them for future reference.

Install the connector as described in these instructions. Failure to do so will void the certification and the warranty of this connector.

WOOD AND COAL STOVES

If you are planning to install a wood stove, we recommend that you:

1. Choose a stove that has a label of a recognized Testing Laboratory (such as ULC, WH, ITS, UL or OMNI).
2. Choose the right size stove. Do not buy one larger than you need.
3. Connect only one appliance to a chimney.
4. Never overfire your stove. If any part of the stove or stove pipe is glowing red, then you are overfiring. Immediately

close the stove's dampers until the system cools. The high temperatures caused by overfiring can permanently damage the stove and may overheat nearby combustible walls and furniture.

5. Install the stove and stove pipe as described in the Installation Instructions accompanying the stove. Be certain to maintain the required clearances to combustible construction.
6. Keep your flue gases between 300° F and 500° F. This will maximize efficiency while minimizing condensation and creosote formation.
Do not fill your stove with wood and allow it to smolder for 8 to 10 hours. This condition produces large amounts of creosote in the chimney.
7. Do not burn sea driftwood or treated wood. Salt (NaCl) and chemical components are highly corrosive to all types of stainless steel.

LIST OF COMPONENTS AVAILABLE

| SECURITY Model DL Stove connector | |
|-----------------------------------|----------------------------------|
| DL3A | Adjustable length (3" to 9") |
| DL36A | Adjustable length (3" to 34") |
| DL42A | Telescopic length (3'6" to 5'6") |
| DL | Length 6", 12", 24" and 36" |
| DE45 | 45° elbow |
| DE90 | 90° elbow |
| DT | Insulated Tee |
| UP | Chimney adaptor |
| DMA | Masonry chimney adaptor |
| DAB | Stove adaptor |
| DLW | Increaser |
| DLR | Reducer |
| DQ | Trim collar |
| DQDX | Decorative collar |
| DLK | Damper |

Table 1

CREOSOTE - Smoke from a wood fire always contains some unburned gases and a fog of unburned tarlike liquids. When these materials condense they form a dark brown or black deposit called creosote. Creosote formation in a chimney cannot be eliminated, but it can be minimized by:

1. Keeping the temperature of the gases in the chimney above 300°F.
2. Making small hot fires rather than slow burning, smoldering fires.

COAL - Some coals contain large quantities of Sulphur (up to 7%). When coal is burned, Sulphur and coal ashes are deposited in the chimney flue. This deposit combines with moisture to form a highly corrosive acid (Sulphuric Acid). In order to protect your chimney connector, we recommend that you:

1. Burn only low Sulphur coals (less than 1% Sulphur).
2. Have your chimney cleaned within 48 hours of shutting down your stove at the end of the heating season. Be certain that all the soot is removed. Wipe the chimney flue using a strong solution of baking soda and water. This can be done by wrapping a rag around a chimney cleaning brush, dipping it in the baking soda-water solution, then passing it through the chimney three or four times.

CHIMNEY OPERATION AND MAINTENANCE

Keep your chimney and connector clean.

Wood stoves can quickly create large deposits of creosote in the chimney. Some wood stoves can create enough creosote in two weeks to cause a chimney fire.

When using a wood stove, we recommend that you :

1. Initially inspect the chimney system weekly. From this you will learn how often it will be necessary to clean your chimney.

2. The chimney should be inspected at least once every 2 months during the heating season to determine if a creosote or soot build-up has occurred: if creosote or soot has accumulated, it should be removed to reduce the risk of chimney fire.
3. Have your chimney cleaned by a qualified chimney sweep. If you want to clean your chimney yourself, then clean your liner using plastic, wood or stainless steel brushes. Do not use a brush that will scratch the stainless steel interior of the chimney.
4. Do not expect chemical chimney cleaners to keep your chimney clean. Their use does not negate the necessity of periodically inspecting and cleaning your chimney.

CHIMNEY FIRES

If you are having a chimney fire, follow these steps :

1. Close all heater doors and combustion air controls.
2. Alert your family to the possible danger.
3. If you require assistance, alert your Fire Department.
4. If possible, use a dry chemical extinguisher, baking soda or sand to control the fire. Do not use water, as it may cause a dangerous steam explosion.
5. Watch for smoldering or fire on combustibles next to the stove, stove pipe and chimney. Check outside to ensure that sparks and hot embers coming out of the chimney are not igniting the roof.
6. Do not use the stove again until your chimney, connector and stove have been inspected by a qualified chimney sweep or Fire Department Inspector.

INSTALLATION NOTES

1. This double wall stove pipe is used to connect a solid, liquid or gas fired appliance to a factory built or masonry chimney.

Allowable Flue Gas temperature:

Maximum continuous –
1000°F (540°C) U.S.

1200°F (650°C) Can.

Brief forced firing – 1400°F (760°C)

Tested to 2100°F (1150°C) – 30 minutes

2. Install the chimney and stove in accordance with their Installation Instructions.
3. The clearance between the stove pipe and combustible material must not be less than 6 inches (15 cm).
4. Do not enclose this stove pipe.
5. This stove pipe must not pass through attics, closets, walls or ceilings.
6. Mobile Home Installation: Follow the Mobile Home stove Installation Instructions. Certain mobile home stoves may require a greater clearance than 6 inches.
7. A chimney venting a fireplace, a wood burning stove, or an incinerator shall not vent any other appliance.

Probe Thermometers

If you wish to install a probe thermometer on your DL stovepipe, you are approved to do so providing the thermometer is specifically designed for use on solid-fuel flue pipes. Be sure to follow the installation instructions provided by the manufacturer of the thermometer.

Before Firing the Stove

After the installation had been inspected, remove the labels from the stovepipe. If you leave them on, they will melt. For future reference, you can re-apply these labels to a blank page within the installation instructions. Remove any remaining glue residue, then clean the entire stovepipe from top to bottom to remove any fingerprints, oils, or dust that may be upon the pipe's surface. Burning the stove without cleaning the pipe first could cause these deposits to bake into the paint finish.

Any scratches to the stovepipe can be touched-up as required. We recommend Stove Bright Metallic Black 6309 spray paint for this purpose. This shade is a good match once the paint cures. Follow the paint manufacturer's instructions for best results.

Note: The stovepipe will emit a moderate point-like odor and smoke during the first few uses. This is part of the normal curing process. Any odors will fade after a few uses of the appliance.

INSTALL THE CHIMNEY AND STOVE IN ACCORDANCE WITH THEIR INSTALLATION INSTRUCTIONS. THE CLEARANCE BETWEEN THE STOVE CONNECTOR AND ANY COMBUSTIBLE MATERIAL MUST NOT BE LESS THAN 6 IN. (15CM).

FOR INSTALLATIONS THAT REQUIRE MORE THAN ONE LENGTH, WE RECOMMEND THAT THE MAXIMUM VERTICAL LENGTH OF DOUBLE WALL BLACK CONNECTOR THAT CAN BE INSTALLED SHOULD BE 20'.

MASONRY CHIMNEY

Have your chimney inspected by a qualified chimney sweep or Fire Department Inspector before using it. Masonry chimneys should only be used if they are in good condition and have been built to the National Building Code.

When required, the chimney can be relined using Tubinox stainless steel liner or other approved relining products. If the existing chimney and liner is suitable, there should be a horizontal opening into the chimney through a non combustible wall. Fit the Masonry Adaptor (DMA) into this hole (see figure 1). Attach the adaptor collar to the masonry wall using screws and masonry anchors. Seal the joint between the collar and the masonry with a high temperature silicone caulking.

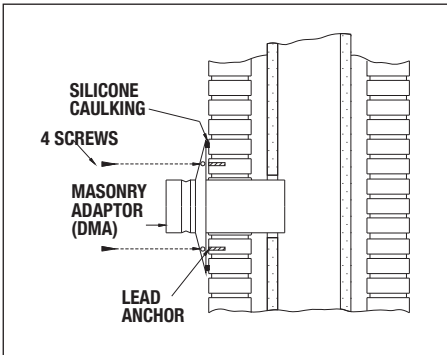


Figure 1

STRAIGHT INSTALLATION

FOR MOST STRAIGHT INSTALLATIONS only a telescopic length will be required. The telescopic length adjusts from 3'6" to 5'6" .

1. Set the adjustable length so that the bottom sits over the flue collar of the stove, in most cases the outer casing will rest on the stove top. Screw through the outer casing into the flue collar using 3 metal screws provided.
2. Remove the screw locking the top and bottom of the telescopic length together. Extend the telescopic length up to the chimney and fit it snugly over the chimney flue extension keeping it within the trim collar. Fix the length in place using 2 metal screws - one on either side of the trim collar. (see figure 2).
3. Secure the top and bottom parts of the telescopic length together using one metal screw.

STOVE ADAPTOR (DAB) (OPTIONAL)

Some stove outlet collars are too thick for the telescopic length to fit over. In these cases, a stove adaptor (DAB) or adjustable length may be more suitable. If necessary, the inner flue casing can be crimped as required to fit within the outlet collar.

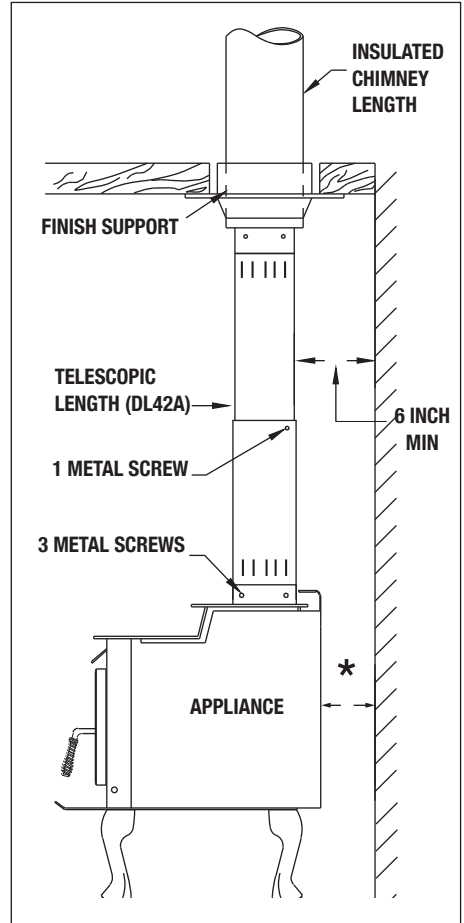
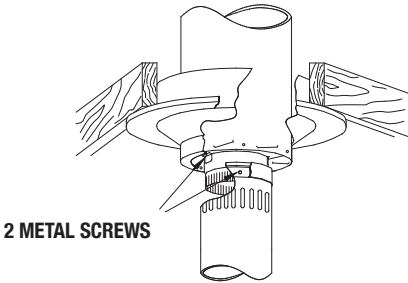


Figure 2

* See appliance manufacturer's installation instructions for this clearance.

THROUGH THE WALL INSTALLATION

1. Attach the chimney flue extension to the bottom of the chimney using 3 metal screws.
2. Stack the telescopic length (DL42A) on the appliance flue collar and attach it to the appliance using 3 metal screws.
3. Stack the 90° elbow (DE90) on top of the telescopic length and push it down to lock it in place.
4. Remove the screw locking the top and bottom of the telescopic length together in order to reach the necessary length.
5. Use an adjustable (DL3A) or fixed length (DL) of stove pipe horizontally between the 90° elbow (DE90) and chimney. Attach this length to the elbow. Fix a decorative collar to the chimney and secure the connector pipe to the chimney flue extension using 3 metal screws (see figure 4).
6. Secure the top and bottom parts of the telescopic length together using one metal screw.
7. If you wish, you may cover the joint between the chimney and the chimney connector, using a trim collar. (DQ)

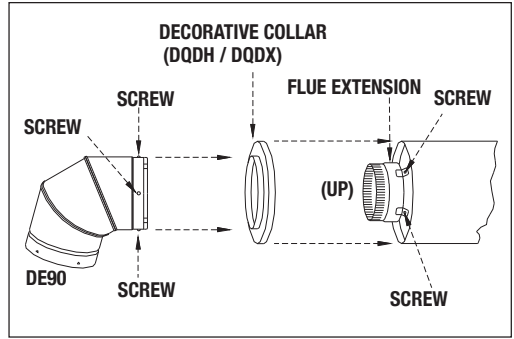


Figure 4

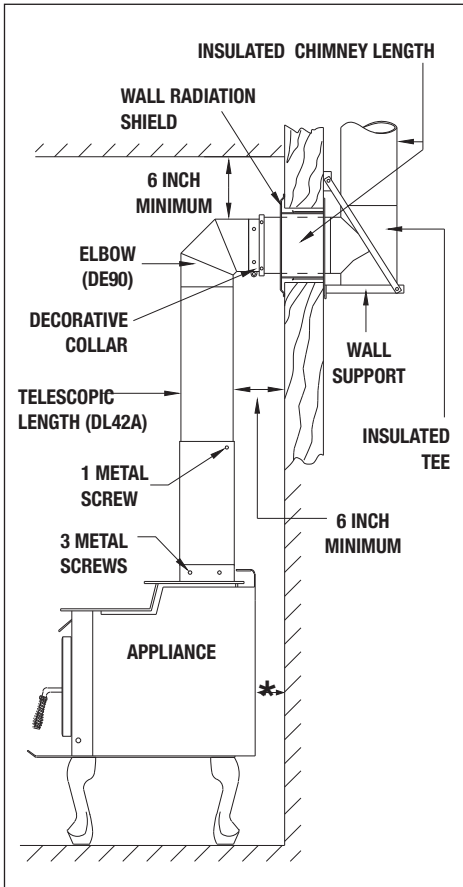


Figure 3

*** See appliance manufacturer's installation instructions for this clearance.**

| Elbow 45 DL | | Length between elbows (inches) | | | | |
|-------------|--------|--------------------------------|--------|--------|--------|--------|
| Diameter | | none | 6in | 12in | 24in | 36in |
| 6 | Offset | 2-1/4 | 5-1/4 | 9-1/2 | 18 | 26-1/2 |
| | Rise | 11-1/4 | 14-1/4 | 18-1/2 | 27 | 35-1/2 |
| 7 | Offset | 3 | 6 | 10-1/4 | 18-3/4 | 27-1/4 |
| | Rise | 12 | 15 | 19-1/4 | 27-3/4 | 36-1/4 |
| 8 | Offset | 3-1/4 | 6-1/4 | 10-1/2 | 19 | 27-1/2 |
| | Rise | 13-1/2 | 16-1/2 | 20-3/4 | 29-1/4 | 37-3/4 |

Table 2

RATING PLATE:



LISTED DOUBLE WALL CONNECTOR
TUYAU DE RACCORDEMENT DOUBLE PAROI HOMOLOGUÉ
MODEL / MODELE DL

TESTED TO | ULC S-641M93
MIS A L'ÉSSAI SELON | WH-PN-016 (MAY/MAI 1993)

CLEARANCE TO COMBUSTIBLE MATERIALS | 6"
DÉGAGEMENT AUX MATÉRIAUX COMBUSTIBLES | 152mm

•SUITABLE FOR CONNECTION TO APPLIANCES BURNING
SOLID FUEL PRODUCING FLUE GASES OF 650° C(1200° F)
IN CAN. AND 540° C(1000° F) IN U.S. OR LESS.

•FOLLOW MANUFACTURER'S INSTALLATION INSTRUCTIONS
PACKAGED WITH THE ASSEMBLY.

•DO NOT ENCLOSE. THIS CONNECTOR MUST NOT
PASS THROUGH FLOORS OR CEILINGS.



UP
HAUT

•POUR RACCORDEMENT AVEC DES APPAREILS A COMBUSTIBLE
SOLIDE PRODUISANT DES GAZ D'ÉCHAPPEMENT DE 650° C
(1200° F) AU CANADA ET 540° C(1000° F) AU E.U. ET MOINS.

•INSTALLER CONFORMÉMENT AUX DIRECTIVES DU FABRICANT.
ATTENTION

•NE JAMAIS ENFERMER. CE TUYAU NE DOIT JAMAIS
TRAVERSER UN PLAFOND OU UN MUR.

MADE IN CANADA
FABRIQUÉ AU CANADA



LAVAL, QUÉBEC, CANADA

NP68 REV.9

NOTES:

SECURITY CHIMNEYS INTERNATIONAL, LTD. RESIDENTIAL CHIMNEY & VENTING PRODUCT LIMITED LIFETIME WARRANTY

THE WARRANTY

This Security Chimneys International, Ltd. (SCIL) Limited Lifetime Warranty warrants your residential vent and/or chimney system to be free from defects in material and workmanship at the time of manufacture. This Limited Lifetime Warranty includes all components and fittings, except termination caps and Secure Black™ SW single wall black stove pipe. After installation, if covered components manufactured by SCIL are found to be defective in materials or workmanship during the Limited Lifetime Warranty period and while the Product remains at the site of the original installation, SCIL will, at its option, replace the covered components. SCIL reserves the right to replace covered components with an equivalent product and the replacement must be carried out in accordance with SCIL's recommendations. If replacement is not commercially practical, SCIL will, at its option, refund the purchase price or wholesale price of the SCIL product, whichever is applicable. THERE ARE EXCLUSIONS AND LIMITATIONS to this Limited Lifetime Warranty as described herein.

COVERAGE COMMENCEMENT DATE

Warranty coverage begins on the date of installation. In the case of new home construction, warranty coverage begins on the date of first occupancy of the dwelling or six months after the sale of the Product by an independent SCIL dealer/distributor, whichever occurs earlier. The warranty shall commence no later than 24 months following the date of product shipment from SCIL, regardless of the installation or occupancy date.

EXCLUSIONS AND LIMITATIONS

This Limited Lifetime Warranty applies only if the Product is installed in the United States or Canada and only if used for the application for which it was designed and intended. The Product must be maintained in accordance with the printed instructions accompanying the Product and in compliance with all applicable installation and building codes and good trade practices.

This warranty is transferable. The Product must be purchased through a listed supplier of SCIL and proof of purchase must be provided. SCIL will be responsible for the replacement of the residential vent and/or chimney system considered to be defective for the following periods:

Termination Caps & Secure Black SW Stove Pipe – Replacement at no charge for 5 years from the date of installation, excluding labor

Components and fittings (excludes termination caps and Secure Black SW) –

Year 1-15 – Replacement of all components and fittings (a labor allowance may apply to a maximum of 300 \$ * certain conditions apply).

Year 16 – Replacement at 50% off of the prevailing list price in effect at the time of replacement (No labor allowance applies). *Labor Allowance Conditions: Any Warranty replacement work must be performed by a Professional Installer.

SCIL will not be responsible for: (a) damages caused by normal wear and tear, corrosion from salt air, accident, riot, fire, flood or acts of God; (b) damages caused by abuse, negligence, misuse, or unauthorized alteration or repair of the Product affecting its stability or performance. (The Product must be subject to normal use with approved fuels listed in the Operation Manual provided with the product. Where applicable, fuel products with abnormal burning characteristics, including but not limited to fuel such as driftwood, plywood and wood products using a binder may burn at excessive temperatures and may cause damage to the Product or may cause it to function improperly); (c) damages caused by failing to provide proper maintenance and service in accordance with the instructions provided with the Product; (d) damages, repairs or inefficiency resulting from faulty installation or application of the Product.

This Limited Lifetime Warranty covers only parts as provided herein. SCIL's entire liability is limited to the purchase price of this product. In no case shall SCIL be responsible for materials, components or construction which are not manufactured or supplied by SCIL or for the labor necessary to install, repair or remove such materials, components or construction. Additional utility bills incurred due to any malfunction or defect in equipment are not covered by this Limited Lifetime Warranty. All replacement or repair components will be shipped F.O.B. from the nearest stocking SCIL factory.

LIMITATION ON LIABILITY

It is expressly agreed and understood that SCIL's sole obligation and the purchaser's exclusive remedy under this warranty, under any other warranty, expressed or implied, or in contract, tort or otherwise, shall be limited to replacement, repair, or refund, as specified herein.

In no event shall SCIL be liable for any incidental or consequential damages caused by defects in the Product, whether such damage occurs or is discovered before or after replacement or repair, and whether such damage is caused by SCIL's negligence. SCIL has not made and does not make any representation or warranty of fitness for a particular use or purpose, and there is no implied condition of fitness for a particular use or purpose.

SCIL makes no expressed warranties except as stated in this Limited Lifetime Warranty. The duration of any implied warranty is limited to the duration of this expressed warranty.

No one is authorized to change this Limited Lifetime Warranty or to create for SCIL any other obligation or liability in connection with the Product. Some states and provinces do not allow the exclusion or limitation of incidental or consequential damages, so the above limitations or exclusions may not apply to you. The provisions of this Limited Lifetime Warranty are in addition to and not a modification or subtraction from any statutory warranties and other rights and remedies provided by law.

INVESTIGATION OF CLAIMS AGAINST WARRANTY

SCIL reserves the right to investigate any and all claims against this Limited Lifetime Warranty and to decide, in its sole discretion, upon the method of settlement.

To receive the benefits and advantages described in this Limited Lifetime Warranty, the appliance must be installed and repaired by a licensed contractor approved by SCIL. Contact SCIL at the address provided herein to obtain a listing of approved dealers/distributors. SCIL shall in no event be responsible for any warranty work done by a contractor that is not approved without first obtaining SCIL's prior written consent.

HOW TO REGISTER A CLAIM AGAINST WARRANTY

In order for any claim under this warranty to be valid, you must contact the SCIL dealer/distributor from which you purchased the product. If you cannot locate the dealer/distributor, then you must notify SCIL in writing. SCIL must be notified of the claimed defect in writing within 90 days of the date of failure. Notices should be directed to the SCIL Warranty Department at 2125 Monterey, Laval, QC H7L 3T6.

WARRANTY

These products have a limited warranty. Please read the warranty to be familiar with its coverage.

Retain this manual. File it with your other documents for future reference.

PRODUCT REFERENCE INFORMATION

Please contact Security Chimneys International for the phone number of your nearest Security Chimneys International dealer who will answer your questions or address your concerns.

Normally, all parts should be ordered through your Security Chimneys International distributor or dealer. Parts will be shipped at prevailing prices at time of order.

When ordering repair parts, always give the following information:

1. The model number of the chimney system.
2. The part number.
3. The description of the part.
4. The quantity required.
5. The installation date of the chimney system.

If you encounter any problems or have any questions concerning the installation or application of this system, please contact our dealer.



2125 MONTEREY ST. • LAVAL, QC., CANADA • H7L 3T6
800-667-3387; www.securitychimneys.com

Security Chimneys International Limited reserves the right to make changes at any time, without notice, in design, materials, specifications, prices.
Consult your local distributor for chimney system code information.

Printed in Canada © 2019 Security Chimneys International

DL REV.7 04/05/19

NOTE: DIAGRAMS & ILLUSTRATIONS ARE NOT TO SCALE.